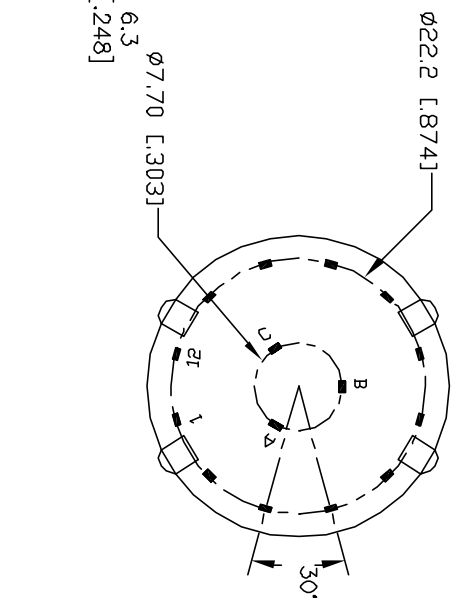
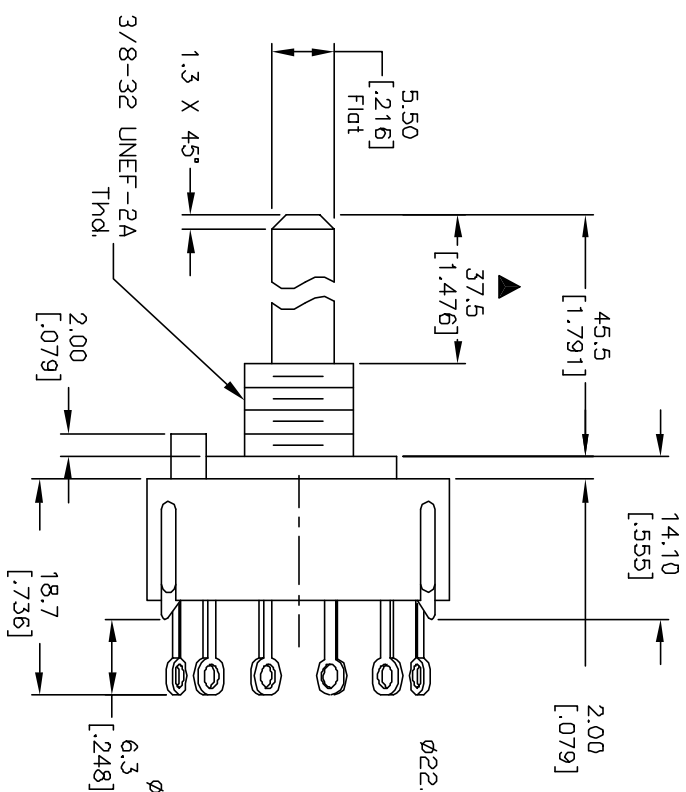
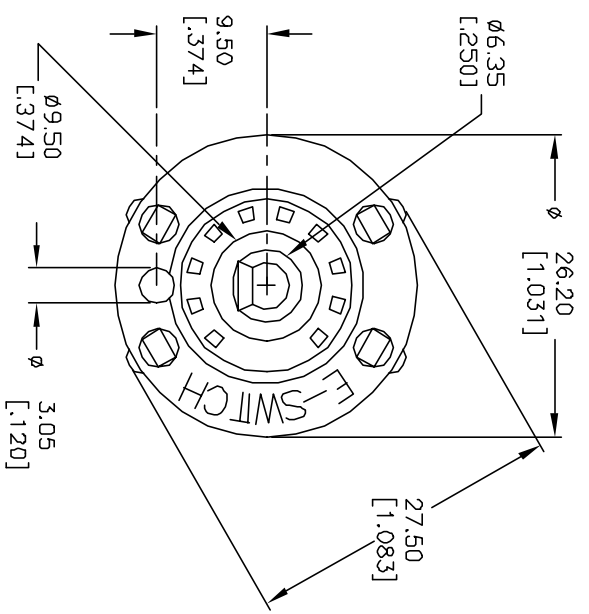
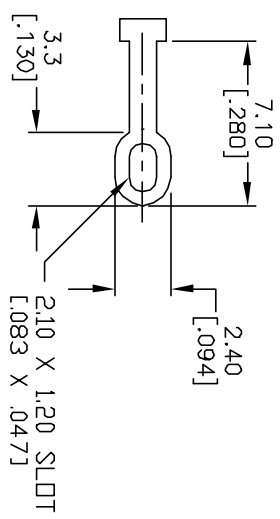
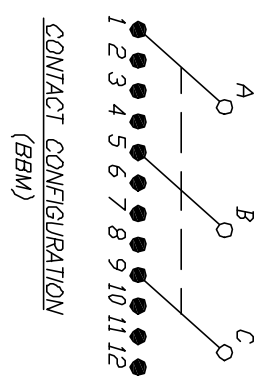


- NOTES:
1. ALL DIMENSION IN MM [INCH]
 2. GENERAL TOLERANCE: X.X=±0.4
X.XX=±0.25
 3. TERM. NOS. FOR REF. ONLY
 4. CONTACT RATING SWITCHING: 150mA, 250V AC/DC
350mA, 110V AC/DC
 5. OPERATING FORCE: 425±100 CM/STANDARD
 6. OPERATING TEMP: -30° to 85°C
 7. CIRCUIT 3P: 4 POSITIONS, 30° INDEX.
 8. DIELECTRIC STRENGTH: 1000V RMS min.@Sea Level
 9. DESIGNATE MAJOR DIMENSIONS
 10. LOCK NUT AND WASHER NOT SHOWN.



REV.		ECN No.	DESCRIPTION	DATE	CHKD	SCALE	DATE	DR	DWG	REV
A		11281	RELEASED FOR PRODUCTION	3/7/01	CJB	1.5:1	3/7/01	CJB	G510700	A
<p>E-SWITCH®</p> <p>KC-34-C-01-N-L-S</p>										
<p>THE INFORMATION CONTAINED IN THIS DOCUMENT IS PROPRIETARY TO E-SWITCH AND IS NOT TO BE COPIED OR TRANSFERRED</p>										